

SAF-COM Sand Filter

RWO  VEOLIA



The RWO Sand Filter SAF-COM is generally used as a pre-filtration step for fresh and process water treatment. The SAF-COM removes suspended particles such as bacteria and other micro-organisms. The system ensures

high process efficiency of further filtration steps for fresh and process water treatment e.g. the RWO Seawater Reverse Osmosis plant SRO-COM.

Your key benefits

- > Skid-mounted units in a compact, marine-suitable design
- > Reliable equipment, safe to operate
- > Cost reduction of fine filtration due to extended operation times
- > Easy handling
- > Long operation interval before back-washing

WATER TECHNOLOGIES

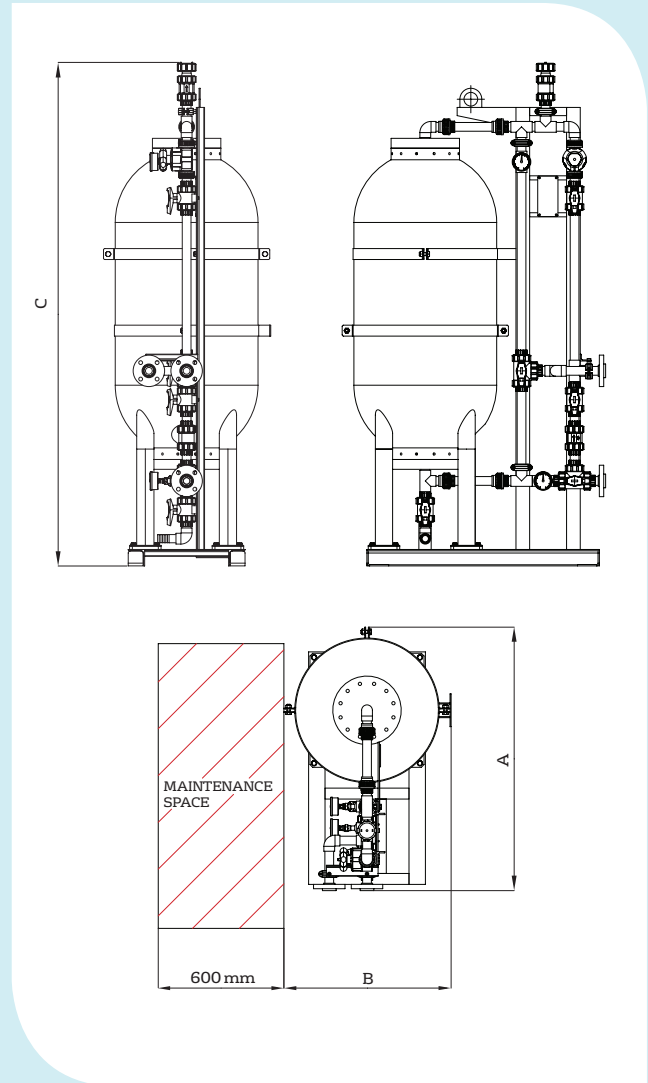
Working process

It is a closed filter system and the filter media are chosen according to the raw water quality. These materials retain the turbidity in the filter. When the capacity of the filter is exhausted, it will be backwashed.

The dirt particles are rinsed out of the sand in the sand scrubber using filtered water. The rinsed sand trickles onto the sand filter bed and is available for further filtration. The dirt particles are removed from the system using the backwash water.

Easy handling

The sand filter has a long life-cycle and is easy to operate. This plug-and-play unit does not need any electrical and pneumatic connections. The filter housings are made of polycarbonate. They are available with manual backwashing. The range of flow rates in the standard program is from 0.42 m³/h to 7.86 m³/h.



Technical Data

Type	Capacity* [m ³ /h]	Dimensions A/B/C [L x W x H in mm]	DN/PN	Wet Weight [kg]
SAF00420	0.42	825/550/1370	20/16	110
SAF01050	1.05	930/550/1550	20/16	210
SAF02040	2.04	965/615/1845	25/16	350
SAF03000	3.00	1105/685/1645	32/16	385
SAF06000	6.00	1455/835/2105	50/16	820
SAF07860	7.86	1580/990/2120	50/16	1135

max. allowed working overpressure: 6 bar
max. allowed operating temperature: 40 °C

*Volumetric flow depends on the water composition and the type of filter media

