

# UVS-COM Ultraviolet Disinfection

RWO  VEOLIA



## A reliable and comfortable way to disinfect potable water onboard ships or offshore

RWO's UV units consist of a reaction chamber with the UV lamp and a separate control cabinet. The UV lamps, which emit over 90% of the total UV emission at the optimum wave length of 254 nm, are fitted into the reaction chamber and protected by a UV transparent quartz glass.

Disinfection of potable water by UV radiation is a safe and reliable alternative to other methods such

as chlorination and is also used as final polishing before distribution/prior to consumption.

The radiation causes photochemical reactions in the cells of micro-organisms, thus inhibiting essential cell functions. UV radiation is most suitable for sterilisation as an exposure to UV-C radiation kills up to 99,9% of the bacteria and viruses.

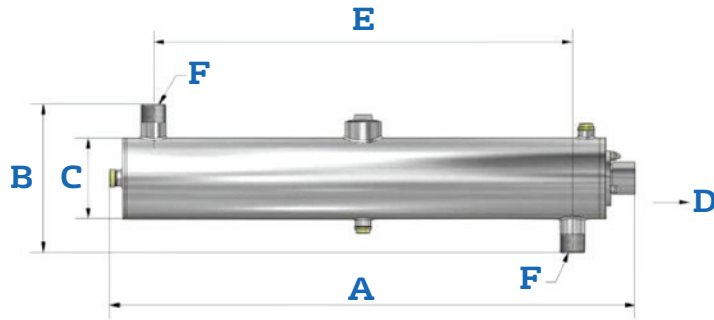
### Your key benefits

- > No chemical required
- > No effects on taste and odour
- > No corrosion problems
- > Safe disinfection of drinking water
- > Easy to operate and maintain



**WATER TECHNOLOGIES**

## Dimensions



Type	UVS-COM 3	UVS-COM 5	UVS-COM 15
A	1000	1000	1350
B	165	210	210
C	89	114	114
D	900	900	1200
E	870	860	1105
F	1"	1 1/2"	2"



UVS-COM  
Ultraviolet  
Disinfection

## Design-Parameters

Type	UVS-COM 3	UVS-COM 5	UVS-COM 15
Flow-Rate [m <sup>3</sup> /h]	3	5	10-15
UV-C-Transmission-SSK m [T <sub>1cm</sub> ]	96%	96%	96%
Dose [J/m <sup>2</sup> ]	400	400	400
Water temperature [°C]	max. 35	max. 35	max. 55
Ambient temperature [°C]	max. 40	max. 40	max. 40
Working pressure [bar]	max. 10	max. 10	max. 10
Power supply [V/Hz]	230/50-60	230/50-60	230/50-60
Reactor [kg]	6	8,5	12
Control unit [kg]	11,5	11,5	11,5